

## NRS RESILIENT SEATED GATE VALVE FLANGED ENDS



# CF 300

### SPECIFICATIONS

- Meet or exceed the requirements of AWWA C515 standard.
- Full waterway.
- 2" Square Operating Nut.
- Rubber fully encapsulated ductile iron wedge.
- Triple O-Ring stem seal.
- Face to face dimension complies with ASME B16.10 and EN558 series 3.
- Flange and drilling complies with ASTM B16.1 Class 125.
- UL/ULC 262 listed, FM 1120/1130 approved
- Certificated to ANSI/NSF 61 & 372.

### CORROSION PROTECTION

- Fusion bonded coating interior and exterior meet or exceed all applicable of AWWA C550 standard.

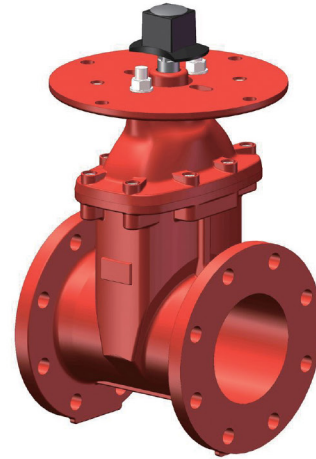
### WORKING PRESSURE AND TEMPERATURE

- 300 PSI rated @ -10°C to 82°C

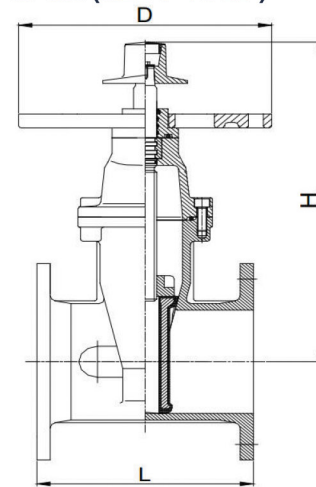
### MATERIAL SPECIFICATION

PART	MATERIAL	ASTM SPECIFICATION
BODY	DUCTILE IRON	A536 GRADE 65-45-12
WEDGE	EPDM FULLY ENCAPSULATED DUCTILE IRON WEDGE	
WEDGE NUT	BRONZE	B148 C95200
BONNET	DUCTILE IRON	A536 GRADE 65-45-12
STEM	STAINLESS STEEL	A276 GRADE 304
GLAND	DUCTILE IRON	A536 GRADE 65-45-12
THRUST COLLAR	BRONZE	B148 C95200
OPERATING NUT	DUCTILE IRON	A536 GRADE 65-45-12
POST FLANGE	DUCTILE IRON	A536 GRADE 65-45-12
FASTENERS	CARBON STEEL	A307 GRADE B
BODY/BONNET GASKET	EPDM	D2000

### SCHEMATIC



CF-300 (SIZE 4" TO 12")



### MAIN DIMENSIONS (MM/INCH)

SIZE	4	6	8	10	12
L	229/9.0	267/10.5	292/11.5	330/13.0	356/14.0
H	350/13.75	465/18.3	559/22.0	635/25.0	724/28.5
D	305/12.0	305/12.0	305/12.0	305/12.0	305/12.0

### NOTE

■ Materials and specifications shown are subject to change without notice due to the continuous development of our products.

- Size 12" is Non UL/FM