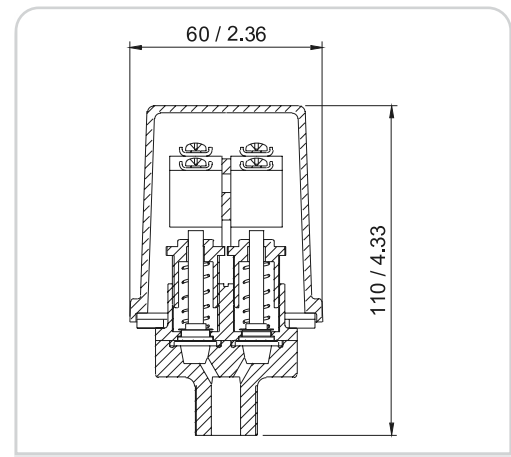
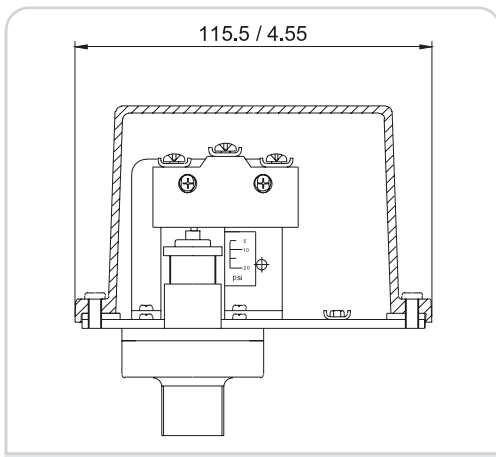


FEATURES

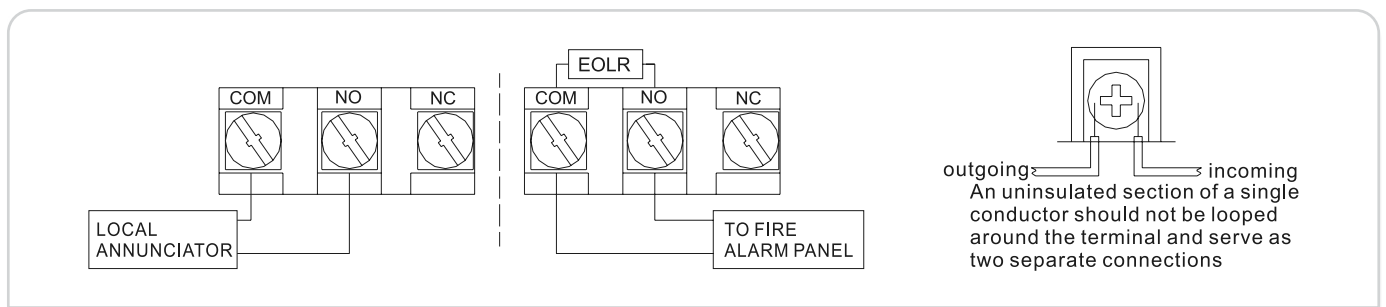
- Maximum Adjustment Pressure Range
 - CF-PS10 / CF-PS10-1: 4-20 psi.
 - CF-PS40 / CF-PS40-1: 10-100 psi.
 - CF-PS120 / CF-PS120-1: 10-200 psi.
- Factory Setting
 - CF-PS10, CF-PS10-1: 4-8 psi.
 - CF-PS40: operates at decreasing pressure at 30 psi.
 - CF-PS40-1: operates at increasing pressure at 50 psi and decreasing pressure 30 psi.
 - CF-PS120 : operates at decreasing pressure at 110 psi.
 - CF-PS120-1: operates at increasing pressure at 130 psi and decreasing pressure 110 psi.
- Approximate Differential
 - CF-PS10 / CF-PS10-1: 3 psi throughout range.
 - CF-PS40 / CF-PS40-1: 3 psi @ 10 psi & 6psi @ 100 psi.
 - CF-PS120 / CF-PS120-1: 3 psi @ 10 psi & 9 psi @ 200 psi.
- Contact Rating: 1 QA@ 125/250VAC, 2.5A@ 30VDC.
- IP 66.



SCHEMATIC & DIMENSIONS (MM/ INCH)



TYPICAL CONNECTIONS



Note:
 Designs, materials and specifications shown are subject to change without notice due to the continuous development of our products.